



Sepray OH-70C

Heated humidified high flow nasal cannula oxygen therapy device (HFNC)

- Automatic O₂ concentration control technology
- Intelligent temperature and humidity control system
- Up to 70L/min high flow output



高端制造 完美服务
High Technique Perfect Service

Advantages

1 Efficiency

- Automatic O₂ concentration control technology
- 21%–100% O₂ concentration adjustable with 1% adjusting precision
- Built-in O₂ blender and concentration monitoring module

Intelligent temperature and humidity control system

- Providing air with core body temperature and 100% relative humidity
- Adjustable temperature from 31°C to 37°C

Effectively reduce the dead space with 70L/min high flow

- Built-in multi-point flow sensor for accurate and stable flow

2 Safety

Revolutionary trend review function

- Review the latest 8–24 hours data of temperature, humidity and O₂ concentration

High-performance blower and sensor

- Stable flow output and accurate therapy data monitoring

Multiple alarming and time setting

Safe airway design to prevent cross infection

- Unique inner air passage design, no contact with user's airflow

3 Comfort

Nasal prong

- Low level of positive pressure, high tolerance for patients
- High compliance without oppressive feeling

Threaded heated tube

- Guarantee the temperature and humidifying effect, prevent condensate water

4 User-friendly Design

4.3 inch Large LCD screen

Wheel button to facile control

Disposable heated tube and water chamber

Integrated trolley provides mobility and convenience

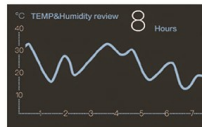
Automatic water-adding function to save manual operation



Temperature setting screen



Time setting screen



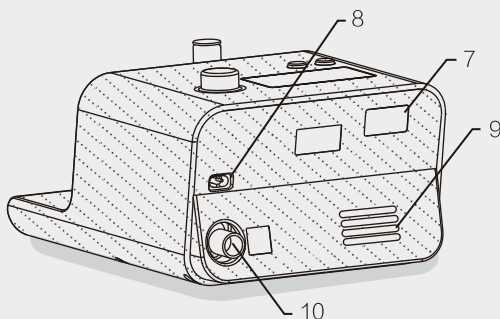
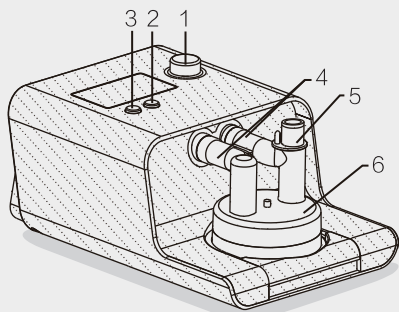
Review screen

Parameters Sheet

Parameters	Description
Flow settings	Adult Mode: 10L/min-70L/min Children Mode: 2L/min-25L/min
Oxygen concentration	21%–100% (adjustable by 1%)
Temperature	31°C–37°C (adjustable by 1°C)
Treatment interfaces	Children nasal cannula, Nasal cannula, Tracheostomy, Face mask
Step Length	10L/min–70L/min (increments of 5L/min), 2L/min–25L/min(increments of 1L/min)
Trend review	1 days, 3 days, 7days
Real time monitoring parameter	Flow, Temperature, O ₂ concentration, Treatment time
Dimensions	340*228*162mm
Weight	3.3kg

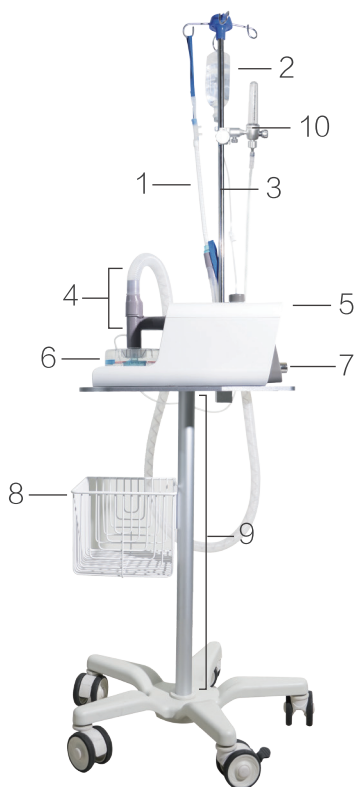
Quick Use Guide

Operation interface introduction



- | | | |
|---|--|---|
| ① | Control dial | Turn the control dial to move the focus of the display. Press the button to enter the selected state and set the selected parameter, clockwise rotation to increase the value and counterclockwise rotation to decrease, press the button to confirm. |
| ② | Mute button | When the device alarms, press this button to enter the mute state of 110s. In the main interface, press and hold the mute button and control dial to enter the low flow mode , repeat this operation to exit the low flow mode. |
| ③ | Standby/Start button | Press and hold this key for 3 seconds to start or stop the treatment, that is, from the standby interface to the treatment interface, or from the treatment interface to the standby interface. |
| ④ | Water chamber adapter | |
| ⑤ | Heated breathing tubing connector | |
| ⑥ | Water chamber | |
| ⑦ | Debugging port | Only professional maintenance personnel can repair / upgrade the equipment. Use by unauthorized persons is prohibited. |
| ⑧ | Power port | Connect the power cord here. |
| ⑨ | Air inlet | Equipment air inlet. Place replaceable filters here to remove dust. |
| ⑩ | Oxygen inlet | Connect the oxygen input tube here (pressure range requirement: 0.3–0.6Mpa) |

- 1 Nasal cannula/Tracheostomy cannula
- 2 Sterile water
- 3 Arm
- 4 Heated breathing tube
- 5 High flow nasal cannula oxygen therapy device
- 6 Water chamber
- 7 Oxygen inlet
- 8 Storage basket
- 9 Trolley
- 10 Buoy flowmeter



Preparation for startup

Before powering on the machine, please make sure that the water chamber, heated breathing tube (including water chamber adapter and threaded heated tube), high-pressure oxygen tube and filter are properly installed, and the sterile water bag or bottle is connected, make sure the water level is under the red line.

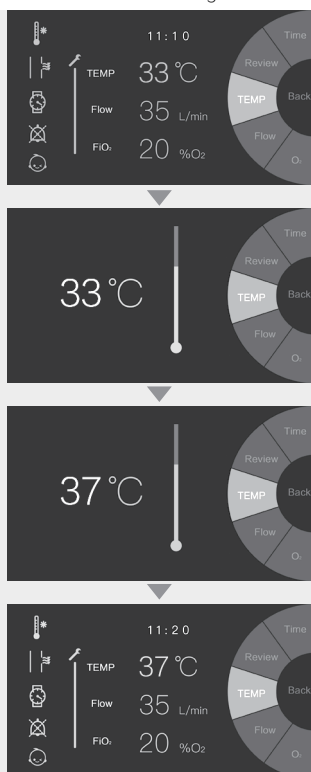
Routine maintenance

- Keep the device surface clean. If there is any dirt, please wipe it with neutral liquid under power off. The internal tube of the OH-70 series HFNC device does not require special cleaning and maintenance.
- Heated breathing tube, patient interface and water chamber are all disposable and only for a single patient.
- Replace the air filter regularly.

Setting treatment parameters

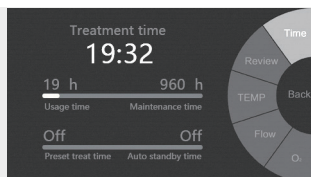
Treatment parameters setting: On the standby interface or main treatment interface, rotate the control dial to select “Temperature” (31°C–37°C) or “Flow” (10L/min–70L/min), or “Oxygen Concentration” (21%–100%), and press to enter into the parameters interface for setting.

- Adjust the parameter value by turning the control dial, then press it to confirm the change of the parameter value and return to the main interface.



Time setting: On the main treatment interface or standby interface, select “Time” with the control dial and press it to confirm, then you can enter the time setting interface to set **preset treatment time** and **automatic standby time**. The **machine usage time** will be automatically accumulated, the **preset reminder time of machine maintenance** is 960 hours and cannot be changed.

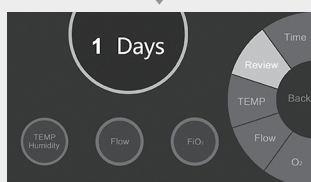
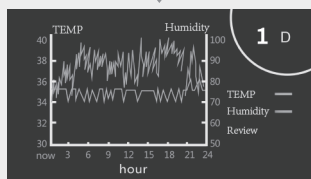
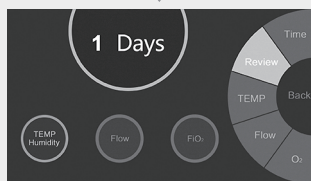
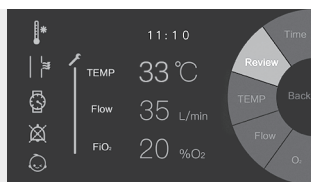
- Move the focus to the parameter option to be changed by turning the control dial and press.
- Adjust the parameter value by turning the control dial, and then press it to confirm the parameter value.
- After the parameters are changed, move the focus to the “Back” option and press the button to return to the main interface.
- On the main interface, long press the button to clear the treatment time. It is recommended to make this operation before changing the machine to another patient.



Setting treatment parameters

Trend review: On the main treatment interface or standby interface, select "Trend" with the control dial and press down to enter the trend review interface. You can review the data of temperature, humidity, flow, and oxygen concentration for 1 day, 3 days and 7 days.

- Move the focus to the "1 Day" option by turning the control dial and press down, then 1, 3 or 7 days can be selected by turning the button, press down to confirm.
- Turn the button to move the focus to the "Temperature", "Humidity" or "Flow" or "oxygen concentration" option, and press down to view the corresponding data respectively.
- Press the control dial to return to the trend review interface, move the focus to the "Back" option and press down to return to the main interface.



Alarm prompt message and processing

During the use of the device, you may encounter the following alarms or prompts. The following table lists the reasons and solutions of corresponding alarms or prompts.

Alarm types	Alarms	Voice	Interface display	Reasons	Solutions
High priority alarm	Check heated breathing tube	Check that the heated breathing tube is not damaged and that it is plugged in correctly.	Temperature and humidity sensor are abnormal.	Re-plug or replace the tube; the alarm will be automatically eliminated.
		Heated tubing connection failed, please check whether the connection is normal.	No threaded heating tube detected.	Re-plug or replace the thread tube; the alarm will be automatically eliminated.
		The temperature sensor is abnormal, please replace the water chamber adapter.	Temperature and humidity sensor detect excessive temperature.	Re-plug or replace the adapter; the alarm will be automatically eliminated.
		The heated tube sensor is abnormal, please replace the tube.	The temperature sensor of thread heated tube detects excessive temperature.	Re-plug or replace the thread heated tube; the alarm will be automatically eliminated.
	Check for blockage	Tubing blocked, check breathing tube / interface.	Blocked breathing tube or patient interface.	Clear the breathing tube and patient interface or replace them.
	Check oxygen source pressure	The oxygen source pressure is too high, please check the oxygen pressure tube.	Oxygen source pressure is higher than 0.6MPa.	This alarm cannot be cleared during treatment. Need to adjust the oxygen pressure to the normal range, restart the treatment to eliminate the alarm.
The oxygen source pressure is too low, please check the oxygen pressure tube.			Oxygen source pressure is lower than 0.3MPa.		
	Check water	The water in the chamber has run out, please add water.	The water in the chamber has run out.	Replace the water bag or water chamber, add water to the red level line.

Alarm prompt message and processing

Alarm types	Alarms	Voice	Interface display	Reasons	Solutions
High priority alarm	Cannot reach target temperature	***	The temperature does not reach the preset value, please check the flow rate / room temperature.	Device runs at low ambient temperature.	① Reduce the target flow rate or temperature set value; ② Check whether there is water in the water tank; ③ Increase the ambient temperature to (18-30°C).
Auditory prompt	Power disconnect	**	/	Sudden power failure of the machine during treatment.	Check the power supply, connect power cord, and power on again.
Text prompt	Check ambient conditions	/	The ambient temperature is too low, please operate the machine under use temperature.	The ambient temperature is lower than 10°C ± 3°C, so the machine cannot start normally.	Raise the ambient temperature to (18-30°C).
	Treatment time prompt	/	Machine usage time exceeds preset time.	The duration of treatment is longer than the preset treatment time.	Turn off preset treatment time or reset preset treatment time.
	Oxygen concentration prompt	/	The oxygen concentration has not reached the preset value, please check the oxygen tube.	The oxygen concentration value is 5% lower than the target value.	Check whether the oxygen tube is properly connected. When the setting oxygen concentration is higher than 95%, please ensure that the oxygen source pressure is higher than 0.4MPa.